

# MAGSON MAU

Magnetically coupled centrifugal  
submersible pumps made of plastic PP



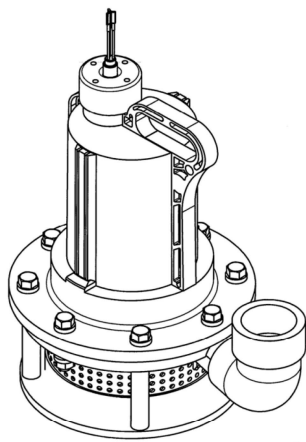
**MORE  
THAN  
50  
YEARS**

SONDERMANN Competence  
in pump and filter technologies

A  COMPANY

# MAGSON MAU – dive into success!

Sealless magnetically coupled submersible pumps  
made of plastics for the chemical industry

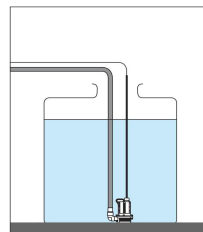


It is the principle of SONDERMANN to always go one step further. And so, in addition to the self-priming pumps, we went further and added a new sealless, magnetically coupled plastic centrifugal pump to our program which you can slip without hesitation!

MAGSON MAU series pumps are the perfect solution when a self-priming pump cannot be used for physical reasons; while at the same time ensuring absolute seal integrity and reliability.

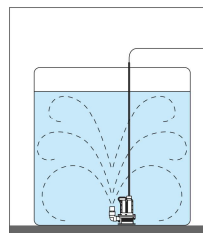
Highest product quality and the innovative construction guarantee maximum efficiency and flexibility in the process. In conjunction with the comprehensive SONDERMANN service, this ensures that you can operate your systems reliably over the long term.

50 years of experience, our know-how and personal advice. Whether for plant construction, surface technology, the chemical industry, solar and printed circuit board construction or electroplating: we are happy to help you with the optimum design of your system - according to your individual installation situation.



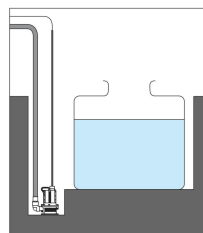
### Tank evacuation

Pumping chemicals or sewage from the bottom of an elevated tank . e.g. on a truck.



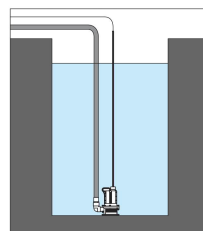
### Mixing

When used without a discharge pipe, the pump can also be used to keep the liquid within the tank in motion.



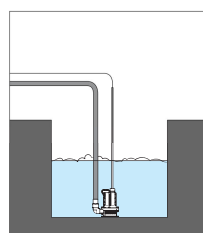
### Sump drain

The pump may be used to drain a pit when leakage has occurred or evacuate in case of emergency.



### Pit Drainage

Suction of sewage or chemicals from the bottom of a pit



### Pumping

For high foaming media the pump can deliver the clean liquid from the bottom of the pit

# Technical Details

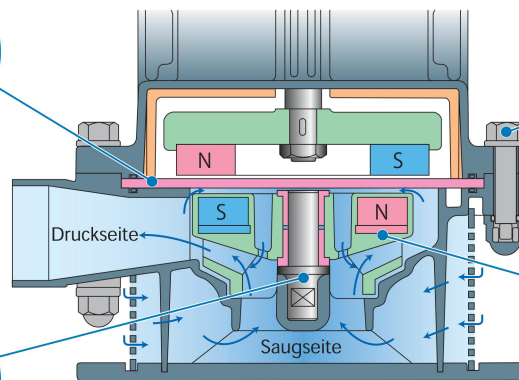
**Separating disc:**  
**Ceramics to separate**

In conjunction with the liquid guidance the separating disc prevents the formation of air pockets and generates no magnetic losses



**Screws:**  
**Made by injection molding**

A jacketed metallic screw combines the durability of the plastic with the stability of the metal. The connection is sealed by an O-ring between the screw and the nut



**Shaft:**  
**SiC for maximum service life**

Extremely high resistance to abrasion and higher resistance to thermal shock than other ceramics. The SiC shaft is the ideal design for long service life

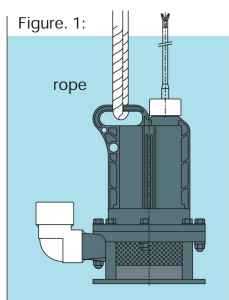
**Impeller:**  
**Made by injection molding**

Glass fiber reinforced polypropylene with injection molded magnets and plain bearings made of carbon fiber reinforced PTFE. The best combination for this purpose

**Checking direction of rotation:**  
**Only start absolutely immersed**

The motor can rotate in the wrong direction after electrical connection. Therefore it is necessary to check the direction of rotation and if necessary to change it. A wrong direction of rotation is among other things to recognize that the pump only reaches about 60% of the capacity and the absorbed current is too low. Proceed as shown below:

Start and stop the pump immediately while it hangs from a rope in a container of water (Figure 1). When looking from the top of the pump, the pump must turn counterclockwise. Then the direction of rotation of the motor is correct. When checking the direction of rotation, make sure that the pump presses fluid when it starts up from the discharge port and that this fluid could cause injuries.



Hang the pump in the container on a rope

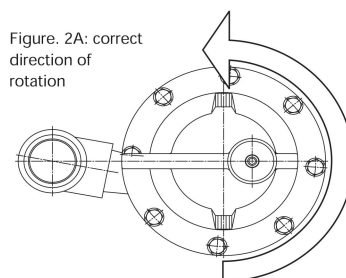


Figure 2A: correct direction of rotation

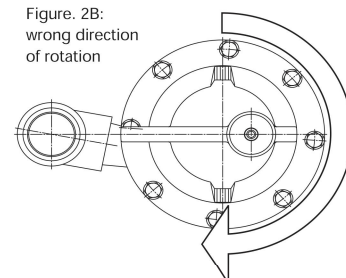


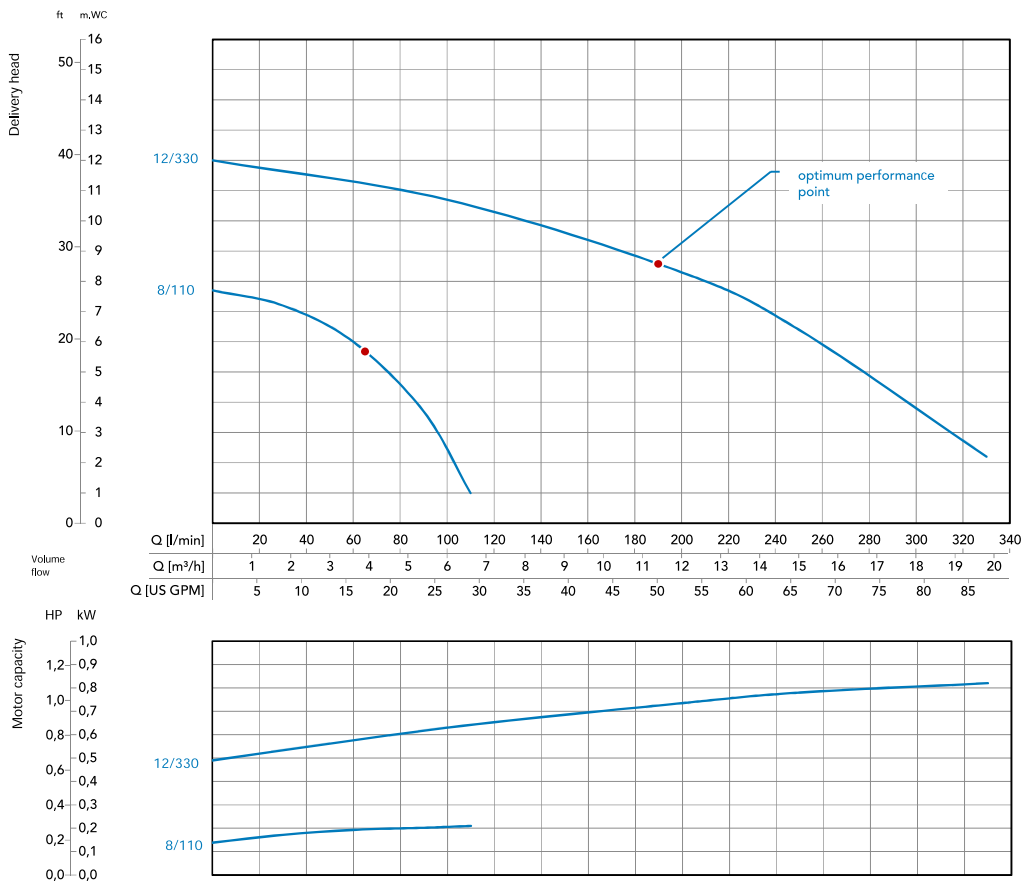
Figure 2B: wrong direction of rotation

# MAU types 1 and 2



- sealless
- streamlined volute casing, made of PP (glass fiber reinforced)
- Volume flow:  
MAU BG1 up to 110 l/min,  
MAU BG2 up to 330 l/min
- delivery head:  
MAU BG1 up to 8 m.WC,  
MAU BG2 up to 12 m.WC
- single stage, vertical

## Performance Curve



Determined with water of 20 °C,  
measured values ±10 %

Technical data MAU	MAU type 1	MAU type 2
Size	8/110	12/330
Material	PP (glass fiber reinforced)	
Max. delivery head in [m.WC] at 50 Hz	8	12
Max. volume flow in [l/min] at 50Hz	110	330
Max. density in [g/cm <sup>3</sup> ] 50 Hz *	1,2	1,3
Motor capacity [kW]	0,26	1,1
Current rating ( 50Hz) in [A]	1,55	2,6
Voltage in [V]	230	400
Rated speed in [U/min] at 50 Hz	3000	
Connection discharge side	G 1"	G 2"
Protection class	IP68	
Max. flow velocity in [m/s]	discharge side = 3	
Max. temperature in [°C]	40	70

\* approx. value at max. volume flow (higher density possible when flow rate is reduced)

### Drawing and parts list

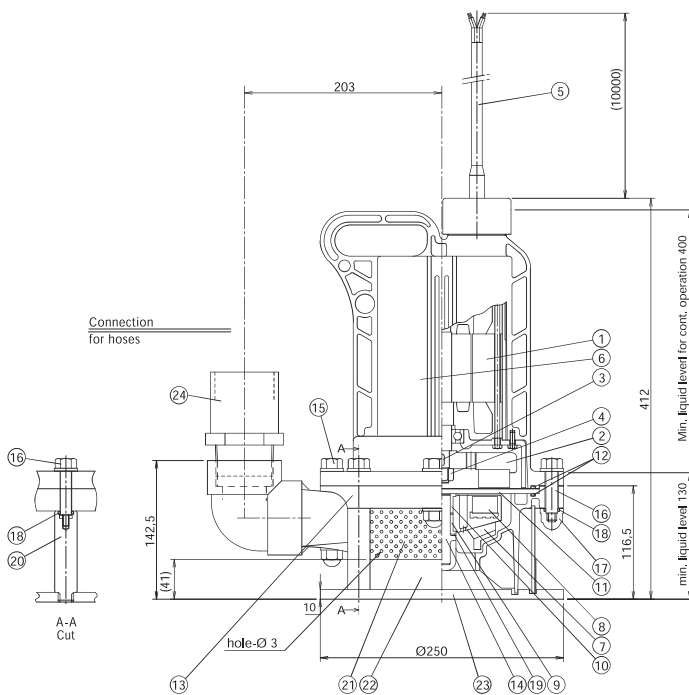


Figure MAU BG2

No.	Description	Material
1	Motor	Steel
2	Outer magnet	Ferritic magnet
3	Key	Stainless steel
4	Nut	Stainless steel
5	Cable	CR 2PNCT
6	Motor housing	PP (glass fiber reinforced)
7	Impeller	PP (glass fiber reinforced)
8	Inner magnet	Ferritic magnet
9	Lower bearing	PTFE /Ceramics
10	Upper bearing	PTFE
11	Separating disc	Ceramics
12	O-Ring	EPDM / FKM
13	Casing	PP (glass fiber reinforced)
14	Shaft	SiC
15	Screw	PP (glass fiber reinforced)
16	Screw	PP (glass fiber reinforced)
17	Nut	PP (glass fiber reinforced)
18	O-Ring	EPDM / FKM
19	Thrust disc	PTFE
20	Stud bolt	HTPVC
21	Suction strainer	PP
22	Sludge interception	PP
23	Pump base	PP
24	Connection	PVC

# Contact us

Thanks to our wide distribution network with 13 sites in Germany, you will always find qualified advisers of SONDERMANN's or our parent company FLUX's at close range.

## 1 Berlin/Brandenburg

SONDERMANN Pumpen + Filter GmbH & Co. KG  
August-Horch-Strasse 2  
D-51149 Cologne  
Phone +49 2203 9394-0  
info@sondermann-pumpen.de

## 3 Hanover/Kassel/Magdeburg

Dipl.-Ing. (FH) Ulrich Poehls  
Alte Bemeroder Strasse 122  
D-30539 Hanover  
Phone +49 511 517151  
Mobile +49 172 6287783  
u.poehls@flux-pumpen.de

## 5.1 Southwest North Rhine-Westphalia

Dipl.-Ing. (FH)  
Joachim Kehrenbach  
August-Horch-Strasse 2  
D-51149 Cologne  
Mobile +49 173 7162844  
j.kehrenbach@sondermann-pumpen.de

## 2 Hamburg/Schleswig-Holstein/Mecklenburg-West Pomerania

Dipl.-Ing. (FH) Dieter Roy  
Dorfstrasse 23  
D-21514 Klein Pampau  
Phone +49 4155 8238100  
Mobile +49 172 6287782  
d.roy@flux-pumpen.de

## 4 Bremen/Munster

Dipl.-Ing. (FH) Mathias Reimer  
Am Zwickenbach 18  
D-49324 Melle  
Phone +49 5422 9227480  
Mobile +49 170 1802546  
m.reimer@flux-pumpen.de

## 5.2 Northeast North Rhine-Westphalia

Ralf Boesl  
August-Horch-Strasse 2  
D-51149 Cologne  
Mobile +49 173 6055547  
r.boesl@sondermann-pumpen.de

## 6 Hesse

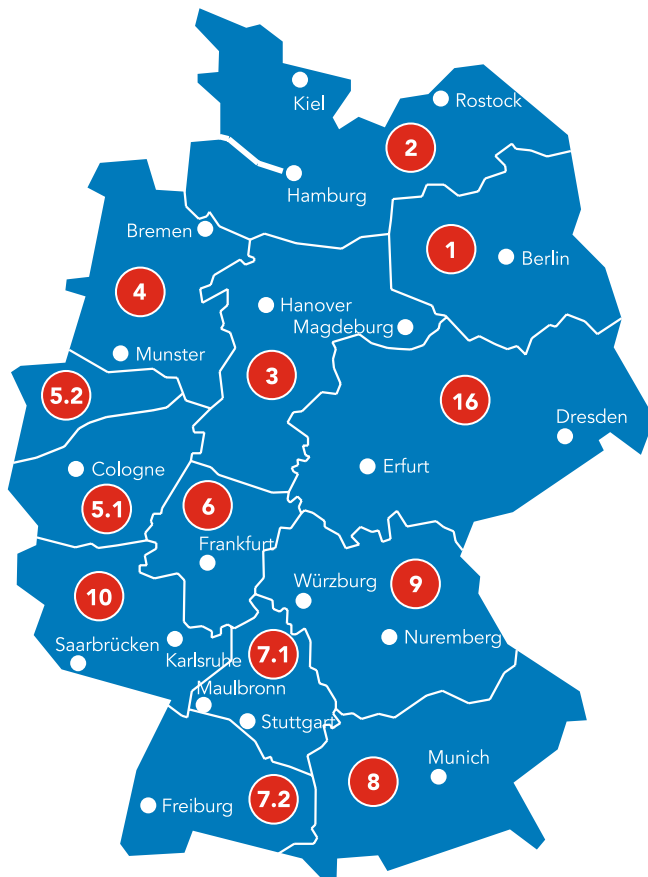
Robert Hoefling  
Odenwaldring 25  
D-63500 Seligenstadt  
Phone +49 6182 1583  
Mobile +49 177 5834969  
r.hoefling@flux-pumpen.de

## 7.1 North Baden-Württemberg

Martin Reichert  
Unterer Steinweg 52/1  
D-75438 Knittlingen  
Phone +49 7043 952-9757  
Mobile +49 174 1665762  
m.reichert@flux-pumpen.de

## 7.2 South Baden-Württemberg

Dipl.-Ing. (FH) Dieter Roeder  
Westendstrasse 4  
D-75015 Bretten  
Phone +49 7252 5049792  
Mobile +49 172 1014217  
d.roeder@flux-pumpen.de



**8 South Bavaria**

Tobias Anton  
Kornblumenstrasse 5  
D-86637 Wertingen  
Mobile +49 172 6287784  
t.anton@flux-pumpen.de

**9 North Bavaria**

Dipl.-Ing. (FH) Wolfgang Schauer  
Am Weinberg 2  
D-91180 Heideck  
Phone +49 9177 4852705  
Mobile +49 172 6287781  
w.schauer@flux-pumpen.de

**10 Rhineland-Palatinate/  
Saarland/Nordbaden**

Frank Schorn  
Fliederstrasse 19  
D-66773 Schwalbach  
Phone +49 6834 567250  
Mobile +49 172 6259223  
f.schorn@flux-pumpen.de

**16 Central Germany**

Dipl.-Ing. (FH) Hendrik Mueller  
Am Kirschrain 5  
D-06193 Petersberg  
Phone +49 34606 290321  
Mobile +49 172 1324674  
h.mueller@flux-pumpen.de



**At your service all over the world**

SONDERMANN pumps and filters are available worldwide. The contact data of our international agencies and representatives are listed at [www.sondermann-pumpen.de](http://www.sondermann-pumpen.de). You may also contact us at our Cologne head office by phone no. **+49 2203 9394-0** or send an email to [info@sondermann-pumpen.de](mailto:info@sondermann-pumpen.de).



For more than 50 years now, SONDERMANN has been your competent partner for the wide range of FLUX pumps made by our parent company. Known for their excellent quality, FLUX pumps are available as barrel and container pumps to submersible centrifugal and eccentric screw pumps to pneumatic diaphragm pumps, mixers, liquid-flow meters, including a wide variety of accessories.



For further information on FLUX pumps and products, visit us at [www.flux-pumpen.com](http://www.flux-pumpen.com)

SONDERMANN  
Pumpen + Filter GmbH & Co. KG  
August-Horch-Strasse 2 · D-51149 Cologne  
P.O. Box 920101 · D-51151 Cologne

Phone +49 2203 9394-0  
Fax +49 2203 9394-48

[info@sondermann-pumpen.de](mailto:info@sondermann-pumpen.de)  
[www.sondermann-pumpen.de](http://www.sondermann-pumpen.de)